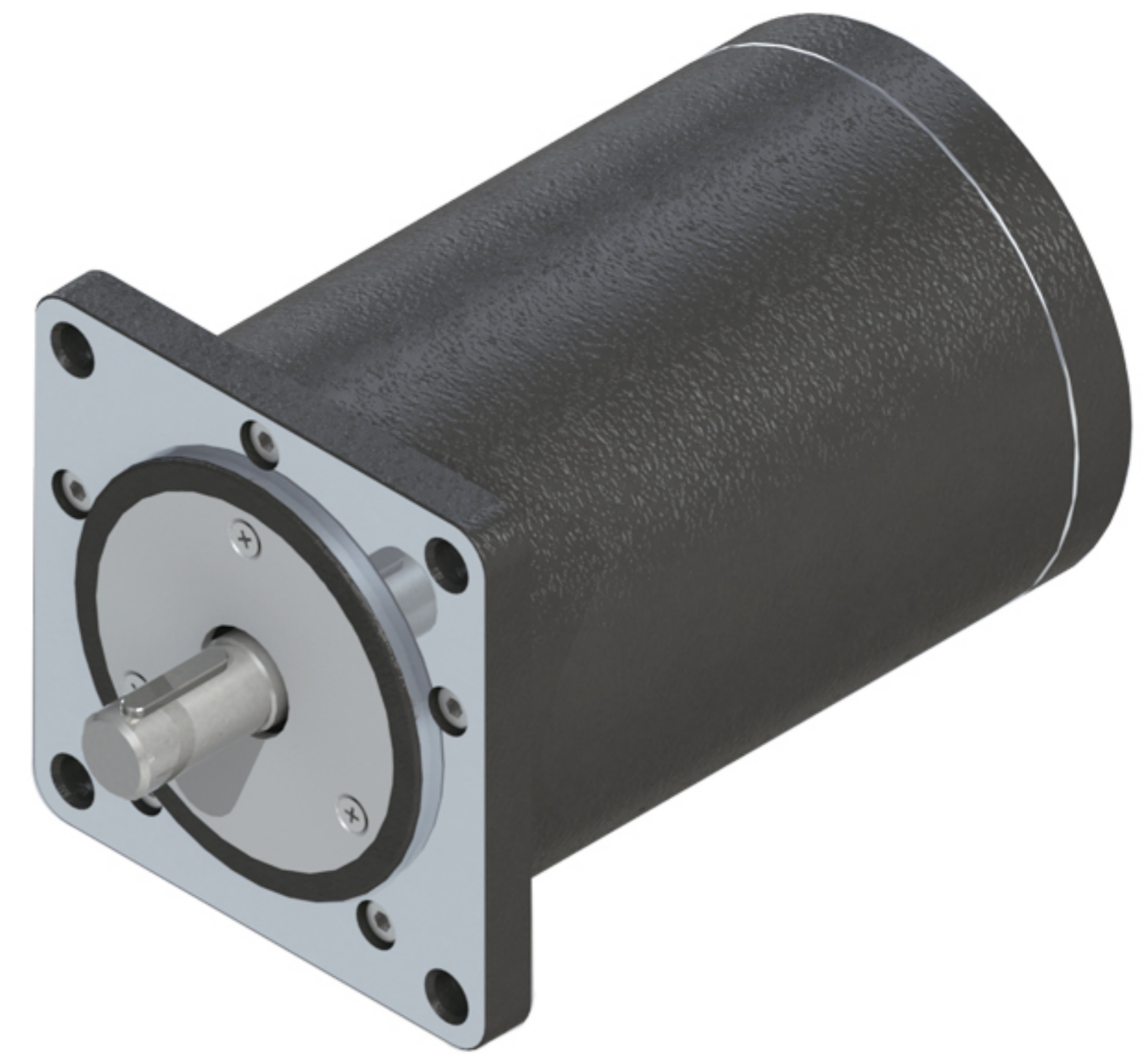


90BYG350系列步进电机

90BYG350 Series stepping motor

步距角 Step Angle	1.2°
绝缘电阻 Insulation Resistance	500V DC 100MΩ Min
绝缘强度 Dielectric Strength	1000V AC 50Hz 2mA 1Minute
环境温度 Ambient Temperature	-20~+40°C
温升 Temperature Rise	80K Max
绝缘等级 Insulation Class	B

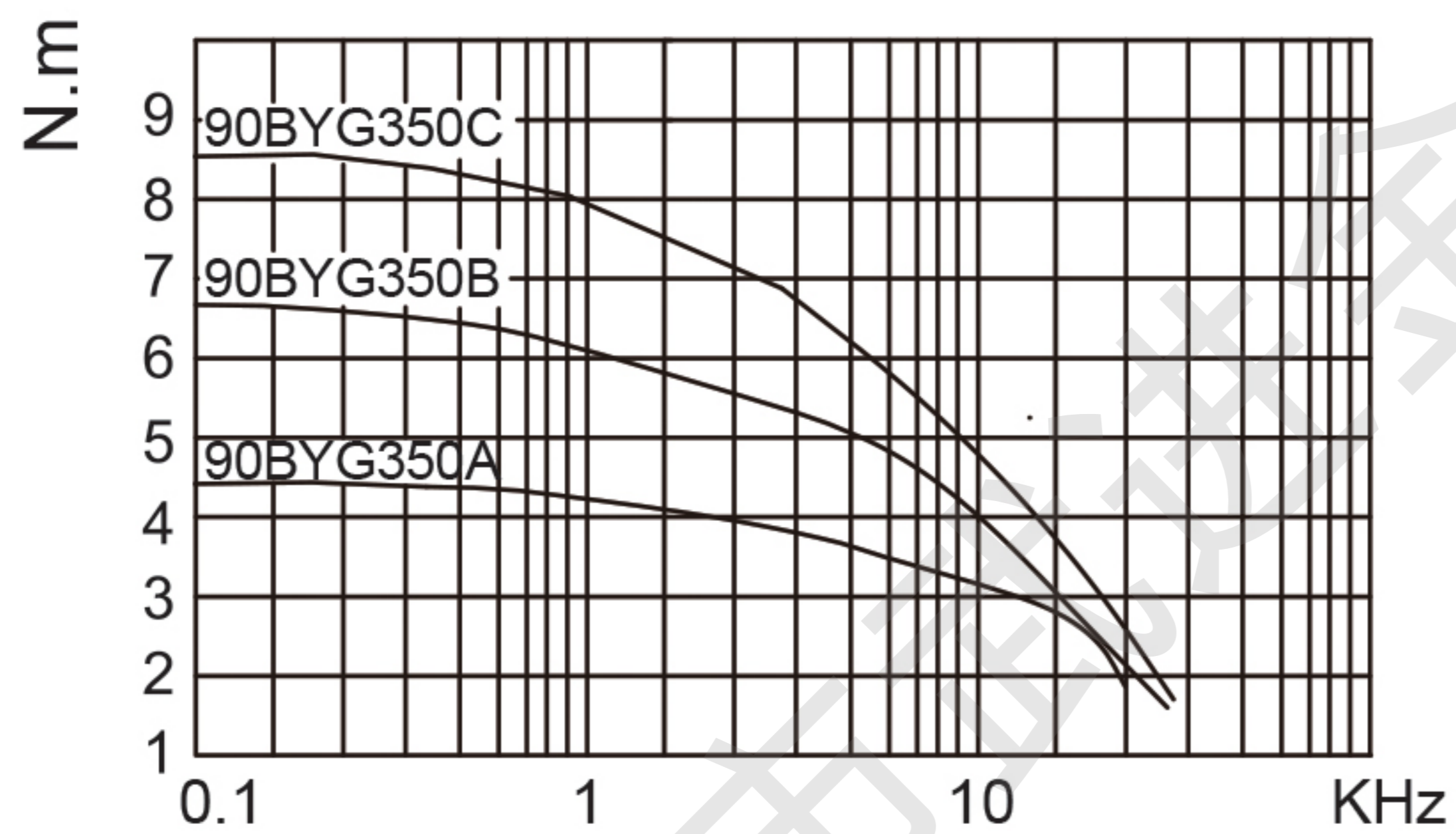


产品性能参数(Electrical specification):

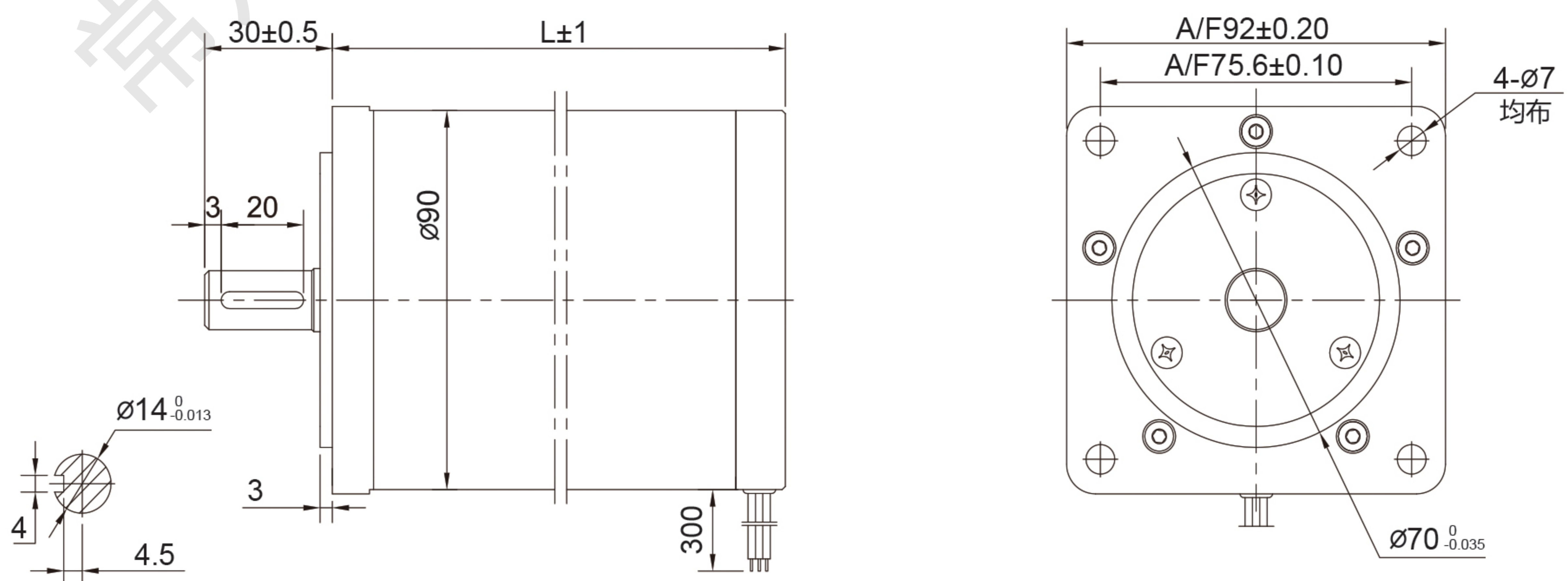
型号 Model	运行电压 Operating Voltage	额定电流 Rated Current	电阻 Resistance	电感 Inductance	保持转矩 Holding Torque	空载频率 Noload Frequency	起动频率 Starting Frequency	重量 Weight	长度 Length
	VDC	A	Ω	mH	N.m	Hz	Hz	kg	mm
90BYG350A	80-325	3	0.95	5.1	4.2	22000	2500	2.8	88
90BYG350B	80-325	3	0.71	2.6	6.5	22000	2500	3.5	111
90BYG350C	80-325	3	0.16	7.0	8.5	22000	2500	5.1	133

以上产品可根据客户要求定制。
Above Products can be customized according to customer requirement.

运行矩频特性 (Torque-frequency Characteristic):



外形尺寸 (Dimension):



注意：装配时，须保证电机轴和负载轴的同轴，严禁敲打，以免损坏电机。
Note: When installing the motor, must ensure that the motor shaft and load shaft concentric, never hit it, so as not to damage the motor.